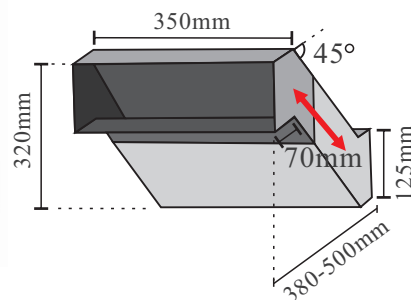


THROUGH THE WALL MAILBOXES - Telescopic Range

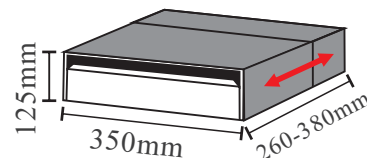
Angled Collection Chute

Style	W X H X D mm	Aperture mm	Front Plate mm
2000	250x100x260-380	230x35	350x200
2000+	250x100x380-500	230x35	350x200
2001	300x125x260-380	280x35	400x225
2001+	300x125x380-500	280x35	400x225
2002	350x125x260-380	330x35	450x225
2002+	350x125x380-500	330x35	450x225



Horizontal Collection Box

Style	W X H X D mm	Aperture mm	Front Plate mm
2375	350x125x260-380	330x35	450x225



A telescopic mailbox designed to fit through a single brick or cavity wall.
The expanding collection box ensures a good fit through walls from 260 - 500mm deep.
The front panel with delivery slot sitting against the exterior and the lockable rear door sitting against the interior of the wall.

FITTED AS STANDARD:

- Anti-theft device
- Perspex window for name tag on both front plate and rear door
- Cam lock with cylinder and 2 keys.

STANDARDS AWARDED:

- Secured by Design Homes 2016 Guide
- Royal Mail
- British Standard BS EN 13724
- 10 Years Guarantee

OPTIONAL EXTRAS:

- Surround
- Stands
- Soft Close Flap
- Engraved & infilled letters on flap & rear door
- Master Key
- Anti-arson extinguisher
- Electronic Lock
- High Security TARA16C lock
- Non standard RAL colours
- Satin stainless steel
- Gold, Silver or Bronze anodized aluminium

MATERIALS:

- Front plate, body and rear door - electro-galvanised steel
- Front flap - aluminium

FINISH:

- Polyester powder coated in one of a range of standard colours. Non standard colours are available on request

STANDARD RAL COLOURS

RAL 1001 Beige	RAL 1013 Oyster white	RAL 1015 Light ivory	RAL 1017 Saffron yellow	RAL 1019 Grey beige	RAL 1035 Pearl beige	RAL 2003 Pastel orange
RAL 3004 Purple red	RAL 3020 Traffic red	RAL 4009 Paster violet	RAL 5003 Saphire blue	RAL 5012 Light blue	RAL 6005 Moss green	RAL 6024 Traffic green
RAL 7005 Mouse grey	RAL 7015 Slate grey	RAL 7016 Anthracite grey	RAL 7035 Light grey	RAL 7039 Quartz grey	RAL 7040 Window grey	RAL 8017 Chocolate brown
RAL 8019 Grey brown	RAL 9005 Jet black	RAL 9006 White aluminium	RAL 9007 Grey aluminium	RAL 9010 Pure white	RAL 9016 Traffic white	

ECO: Manufactured using production method producing 0% Co2 in a factory using 100% re-newable energy.